



MAIN FEATURES:

- Programmable and modular inputs, supporting multiple input types of thermocouples, RTDs, voltage/current and two-wire transmitters. Suitable for measuring and displaying temperature, pressure, flow, level, humidity, etc with measurement accuracy of 0.3% full scale.
- Supports up to 4 loops of alarms including 2 loops of high limit alarms plus 2 loops of low limit alarms. Alarms can be output to different relays or shared one.
- With functions of digital calibrating, digital filtering, and thermocouple cold junction auto compensating, it is free of maintenance and easy operated.
- Supports RS485 communication interface, able to communicate with computers/PLC.
- Temperature retransmission at combined accuracy 0.5% FS through X3 (0.2%FS) high precision current output module.
- High quality and performance hardware design, using high performance tantalum capacitor or ceramic capacitor. Compared to competing models, it consumes less electricity, experiences less temperature shifting, provides higher stability and reliability and can work in a wider range of temperature. The power and I/O terminals have passed the anti-interference test of 4KV/5KHz burst of pulses.
- Universal 100-240V power supply, with thunderbolt proof and 10 seconds protection from connecting to 380VAC by mistake.

ORDERING CODE:

The ordering code of AI-500/AI-501 is made up of 8 parts, for example:

AI-500	A	N	X3	L5	N	S4	—	24VDC
①	②	③	④	⑤	⑥	⑦		⑧

This means an instrument with ① model AI-500, ② dimension A (96x96mm), ③ no module in MIO (multiple input/output) slot, ④ X3 linear current output module installed in OUTP (main output) slot, ⑤ L5 dual relay output module in ALM (alarm) slot, ⑥ no module in AUX (auxiliary output), ⑦ RS485 communication interface module S4 in COMM (communication) slot, and ⑧ 24VDC power supply.

The meanings of the 8 parts of ordering code are as below:

① Shows the model of instrument:

AI-500 indicating/alarm instrument with dual display and measurement accuracy of 0.3%FS.

AI-501 indicating/alarm instrument with single display and measurement accuracy of 0.3%FS.

② Shows the front panel dimension:

AI-500	AI-501	Size	Front Panel Width x Height	Cut Out Width x Height	Depth Behind	Light Bar
•	•	A	96 x 96 mm	92 x 92 mm	100mm	---
	•	A2	96 x 96 mm	92 x 92 mm	100mm	25 segments and 4 levels
•	•	D	72 x 72 mm	68 x 68 mm	95mm	---
•	•	D2	48 x 48 mm	45 x 45 mm	95mm	---
•	•	E	48 x 96 mm	45 x 92 mm	100mm	---
	•	E2	48 x 96 mm	45 x 92 mm	100mm	25 segments and 4 levels
•	•	F	96 x 48 mm	92 x 45 mm	100mm	---
•		F0	96 x 48 mm (large font)	92 x 45 mm	100mm	---

③ Shows the module types of multiple input/output (MIO). Selectable modules are as follows:

V5/V10/V12 / V24 Isolated 5V/10V/12V/24VDC voltage output for transmitter or transducer input.

I7 0~5A AC current input module

I8 0~500V AC voltage input module

④ Shows the module types of main output (OUTP):

Installing X3 or X5 (isolated type) current output module can retransmit process value (PV).

⑤ Shows the module type of alarm output (ALM):

Can output alarms by installing L1, L2, or L4 relay output module or L5 dual relay output module.

⑥ Shows the module type of auxiliary output (AUX):

Can output alarms by installing L1, L2, L4 or L5 relay output module.

⑦ Shows the module type of communication (COMM):

Installing S or S4 module can communicate with RS485 interface.

⑧ Shows type of power supply:

Null indicates 100~240VAC power supply, and "24VDC" indicates 20~32VDC/AC power.

- Note 1: 4~20mA or 0~20mA standard current signal can be inputted by converting to 1~5V/0~5V voltage signal with a 250 ohm resistor or installing I4, module in MIO slot. I4 can supply 24VDC power to 2-wire transmitter.
- Note 2: D dimension instruments have no MIO slot, and its COMM and ALM share the same slot and can't be installed at the same time. Its ALM only, support AL1 single loop alarm. D2 dimension instruments have only OUP slot and COMM / AUX slot.
- Note 3: Current module X3 and RS485 communication module S share the same power supply in the instrument, and are not electric isolated to each other. Therefore, if X3 current module is installed in OUP slot and RS485 communication is need at the same time, then RS485 communication module should be S4 which itself has isolated power supply.
- Note 4: The instrument applies the technology of auto zero and digital calibration, and is free of maintenance. If the error exceeds certain range, generally, cleaning and drying the inside of the instrument can fix it. If not, send the instrument back to the factory to examine and repair.
- Note 5: Free repair and maintenance will be given in 36 months since the delivery. In order to get full and correct repair, write the phenomena and causes of the malfunction of the instrument.

TECHNICAL SPECIFICATION:

● Input type :

Thermocouple: K, S, R, E, J, N

Resistance thermometer: Pt100, Cu50

Linear voltage: 0~5V, 0~1V, 0~500mV, 0~100mV, 0~60mV, 0~20mV, 100~500mV, 0~10V, 0~20V,

Linear current (should connect a external resistor or install I4 module in MIO slot): 0~20mA, 4~20mA

Linear resistor: 0~80 ohm, 0~400 ohm

Alternating current: 0~5A

Alternating voltage: 0~500VAC

● Measurement range :

K(0~+1300℃), S(0~1700℃), R(0~1700℃), E(0~1000℃), J(0~1200℃), N(0~1300℃),

Pt100(-200~+800℃), Cu50(-50~+150℃)

● Linear input : -9990~+30000 unit defined by user

● Measurement accuracy : 0.3%FS±1

● Temperature display resolution : 0.1℃ for K, E, J, N, Pt100 and 1℃ for S, R

● Temperature shift : ≤0.015%FS/℃ (typical value is 75ppm/℃)

● Electromagnetic compatibility (EMC) : IEC61000-4-4, ±4KV/5KHz; IEC61000-4-5, 4KV

● Retransmission :

When X3 or X5 current module is installed in OUP slot, process value (PV) can be retransmitted to standard current with maximum load resistor 500 ohm.

● Alarm function : High limit, low limit, second high limit and second low limit

● Isolation withstanding voltage :

Between power, relay contact or signal terminals ≥2300VDC; between isolated electroweak signal terminals ≥600VDC

● Power supply : 100~240VAC, -15%, +10% / 50-60Hz; 24VDC / AC, -15%, +10%

● Power consumption: ≤5W

● Operating Ambient :Temperature -10~+60℃; humidity ≤90%RH

● Front panel dimension: 96×96mm, 160×80mm, 80×160mm, 48×96mm, 96×48mm, 72×72mm, 48×48mm

● Panel cutout dimension: 92×92mm, 152×76mm, 76×152mm, 45×92mm, 92×45mm, 68×68mm, 45×45mm

● Depth behind mounting surface: ≤100mm

FRONT PELAND OPERATION:

- ① Upper display window, displays PV, or code of a parameter
- ② Lower display window, displays alarming code or parameter value
- ③ Setup key, for accessing parameter tables, and confirming change.
- ④ Data shift key
- ⑤ Data decrease key
- ⑥ Date increase key
- ⑦ Indicator lamps: OP1 and OP2 indicate the status of current retransmission. AL1, AL2, AU1 and AU2 indicate the I/O actions of The corresponding modules.




Basal display status : When power on, the upper display window of the instrument shows the process value (PV). This status is called basal display status. When the input signal is out of the measurable range (for example, the thermocouple or RTD circuit is break, or input specification sets wrong), the upper display window will alternately display "orAL" and the high limit or the low limit of PV.

Parameter Setting: In basal display status, press and hold for about 2 seconds, can access Field Parameter Table. If the parameter lock "Loc" isn't locked (Loc=0), we can modify the value of parameters by / or . Press key to decrease the value, key to increase the value, and key to move to the digit expected to modify. Keep pressing or , the speed of increasing or decreasing value get quick. Pressing can go to the next parameter. Press and hold can return to the preceding parameter. Press (don't release) and then press simultaneously can escape from the parameter table. The instrument will escape automatically from the parameter table if no key is pressed within 30 seconds. Setting Loc=808 and then press can access System Parameter Table.

PARAMETER AND SETTING

Field parameter table (Press  and hold for 2 seconds to access)

Code	Name	Description	Setting Range
HIAL	High limit alarm	Alarm on when PV(Process Value)>HIAL; Alarm off when PV<HIAL-AHYS	-9990~30000
LoAL	Low limit alarm	Alarm on when PV<LoAL; alarm off when PV>LoAL+ AHYS	
HdAL	Second high limit alarm	Alarm on when PV>HdAL; alarm off when PV<HdAL-AHYS	
LdAL	Second Low limit alarm	Alarm on when PV<LdAL; alarm off when PV>LdAL+ AHYS	
Loc	Parameter lock	0~3:allowed to modify field parameters; 4~255:can only modify "Loc"; setting Loc=808 and then pressing can access system parameter table.	0~9999

System parameter table (set Loc=808 and then press  to access)

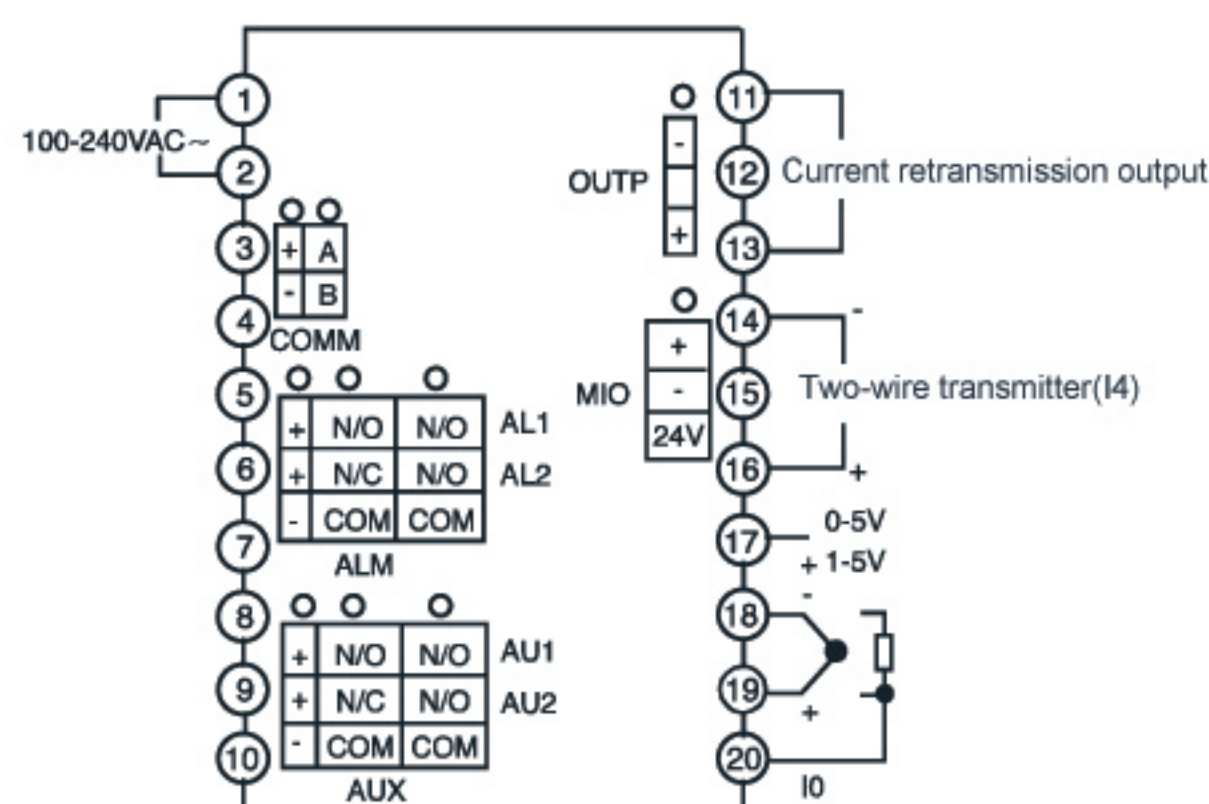
AHYS	Alarm hysteresis	Avoid frequent alarm on-off action because of the fluctuation of PV. For temperature alarm, it is recommended to be 0.5~2°C.	0~200																																																												
AOP	Alarm output assignment	<table border="1"> <thead> <tr> <th>Alarm Output to</th> <th>LdAL (x 1000)</th> <th>HdAL (x 100)</th> <th>LoAL (x 10)</th> <th>HIAL (x 1)</th> </tr> </thead> <tbody> <tr> <td>None</td> <td>0</td> <td>0</td> <td>0</td> <td>0</td> </tr> <tr> <td>AL1</td> <td>1</td> <td>1</td> <td>1</td> <td>1</td> </tr> <tr> <td>AL2</td> <td>2</td> <td>2</td> <td>2</td> <td>2</td> </tr> <tr> <td>AU1</td> <td>3</td> <td>3</td> <td>3</td> <td>3</td> </tr> <tr> <td>AU2</td> <td>4</td> <td>4</td> <td>4</td> <td>4</td> </tr> </tbody> </table> <p>Example: $OP = \frac{3}{LdAL} \quad \frac{3}{HdAL} \quad \frac{0}{LoAL} \quad \frac{1}{HIAL}$ shows that HdAL and LdAL are sent to AU1, LoAL has no output, HIAL is sent to AL1. Note : Installing I5 dual relay output module in AIM or AUX can implement AL2 or AU2 alarm.</p>	Alarm Output to	LdAL (x 1000)	HdAL (x 100)	LoAL (x 10)	HIAL (x 1)	None	0	0	0	0	AL1	1	1	1	1	AL2	2	2	2	2	AU1	3	3	3	3	AU2	4	4	4	4	0~4444																														
Alarm Output to	LdAL (x 1000)	HdAL (x 100)	LoAL (x 10)	HIAL (x 1)																																																											
None	0	0	0	0																																																											
AL1	1	1	1	1																																																											
AL2	2	2	2	2																																																											
AU1	3	3	3	3																																																											
AU2	4	4	4	4																																																											
INP	Input specification	<table border="1"> <thead> <tr> <th>Inp</th> <th>Input type</th> <th>Inp</th> <th>Input type</th> </tr> </thead> <tbody> <tr> <td>0</td> <td>K</td> <td>20</td> <td>CU 50</td> </tr> <tr> <td>1</td> <td>S</td> <td>21</td> <td>PT 100</td> </tr> <tr> <td>2</td> <td>R</td> <td>26</td> <td>0~80 omhs</td> </tr> <tr> <td>3</td> <td>SPARE</td> <td>27</td> <td>0~400 omhs</td> </tr> <tr> <td>4</td> <td>E</td> <td>28</td> <td>0~20mV</td> </tr> <tr> <td>5</td> <td>J</td> <td>29</td> <td>0~100mV</td> </tr> <tr> <td>6</td> <td>SPARE</td> <td>30</td> <td>0~60mV</td> </tr> <tr> <td>7</td> <td>N</td> <td>31</td> <td>0~500mV</td> </tr> <tr> <td>8~13</td> <td>SPARE</td> <td>32</td> <td>100~500mV</td> </tr> <tr> <td>14</td> <td>SPARE</td> <td>33</td> <td>1~5V</td> </tr> <tr> <td>15</td> <td>4~20mA,(I4 module need)</td> <td>34</td> <td>0~5V</td> </tr> <tr> <td>16</td> <td>0~20mA,(I4 module need)</td> <td>35</td> <td>0~10V</td> </tr> <tr> <td>16</td> <td>0~5A,(I7 module need)</td> <td>36</td> <td>2~10V</td> </tr> <tr> <td>16</td> <td>0~500VAC,(I8 module need)</td> <td>37</td> <td>0~20V</td> </tr> </tbody> </table>	Inp	Input type	Inp	Input type	0	K	20	CU 50	1	S	21	PT 100	2	R	26	0~80 omhs	3	SPARE	27	0~400 omhs	4	E	28	0~20mV	5	J	29	0~100mV	6	SPARE	30	0~60mV	7	N	31	0~500mV	8~13	SPARE	32	100~500mV	14	SPARE	33	1~5V	15	4~20mA,(I4 module need)	34	0~5V	16	0~20mA,(I4 module need)	35	0~10V	16	0~5A,(I7 module need)	36	2~10V	16	0~500VAC,(I8 module need)	37	0~20V	0~37
Inp	Input type	Inp	Input type																																																												
0	K	20	CU 50																																																												
1	S	21	PT 100																																																												
2	R	26	0~80 omhs																																																												
3	SPARE	27	0~400 omhs																																																												
4	E	28	0~20mV																																																												
5	J	29	0~100mV																																																												
6	SPARE	30	0~60mV																																																												
7	N	31	0~500mV																																																												
8~13	SPARE	32	100~500mV																																																												
14	SPARE	33	1~5V																																																												
15	4~20mA,(I4 module need)	34	0~5V																																																												
16	0~20mA,(I4 module need)	35	0~10V																																																												
16	0~5A,(I7 module need)	36	2~10V																																																												
16	0~500VAC,(I8 module need)	37	0~20V																																																												
dPt	Resolution	Our formats (0, 0.0, 0.00, 0.000) are selectable For thermocouples or RTD inputs, only 0 and 0.0 are selectable, and the internal resolution is 0.1. For linear input, if the value of PV or any parameter is probably greater than 9999, format 0.000 is recommended.	0 / 0.0, / 0.00, / 0.000																																																												
SCL	Ignal scale low limit	Efine scale low limit of input signal. It is also the scale of the low limit of retransmission output. For example, to transform 1~5V input signal into process value of 0~200.0, we shall set dPt=0.0, SCL=0, SCH=200.0	-9999~+ 30000																																																												
SCH	Gnal scale high limit	Efine scale high limit of input signal. It is also the scale of the high limit of retransmission output. For example, to transform 0~5V input signal into process value of 1000~2000, we shall set dPt=0, SCL=1000, SCH=2000.																																																													
Scb	put shift adjustment	Scb is used to compensate the error produced by sensor or input signal. PV_after_compensation= PV_before_compensation + Scb. For example, for the same input signal, if the measured temperature PV is 500.0°C when Scb=10.0, then PV should be 510.0°C.	-1999~+ 4000																																																												

FILt	Input filter	The value of FILt will determine the ability of filtering noise. When a large value is set, the measurement input is stabilized but the response speed is slow. Generally, it can be set to 1 to 3. If great interference exists, then you can increase parameter "FILt" gradually to make momentary fluctuation of measured value less than 2 to 5. When the instrument is being metrological verified, "FILt" s can be set to 0 or 1 to shorten the response time.	0~40
OPt	Output type	0-20: 0~20mA linear current retransmission output; 4-20: 4~20mA linear current retransmission output.	
Addr	Communication address	the same communication line, different instrument should be set to different address.	0~80
bAud	Baud rate	The range of baud rate is 1200~19200 bit/s. Can be set to 4800, 9600 or 19200.	0~19200

TERMINAL LAYOUT AND WIRING

Wiring graph for instrument with dimensions A, A2, E, E2 or F

The compensation wires for different kinds of thermocouple are different, and should be directly connect to the terminals. Connecting the common wire between the compensation wire and the terminals will cause measurement error.



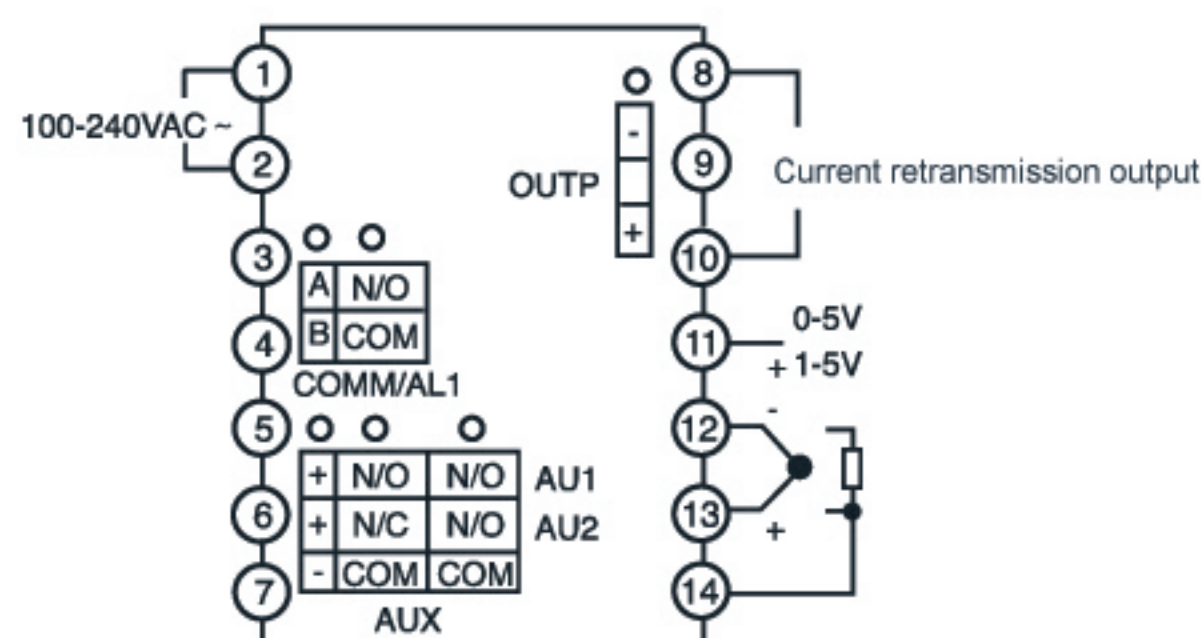
Note: The graph suits for upright instruments with dimension A, A2, E or E2



For instrument size F, rotate the instrument 90 degree clockwise and keep the terminal numbers to be the same as shown.

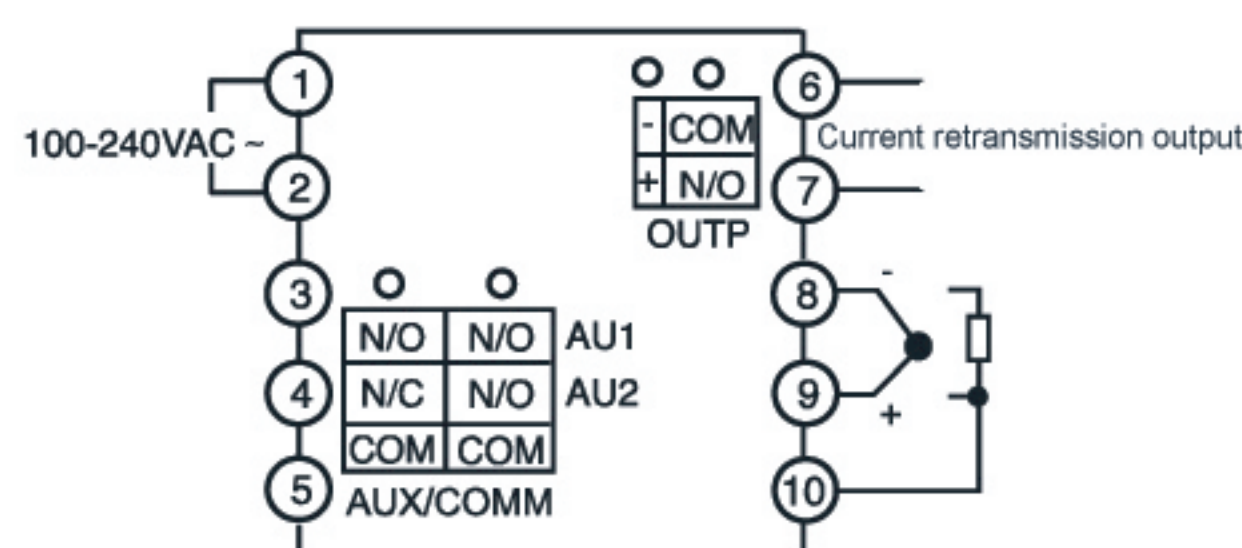
Note:
Linear voltage signal with its range below 500mV can be inputted from terminals 19+ and 18-.
0~ 5V, 1~ 5V or 0~ 10V signal can be inputted from terminals 17+ and 18-.
4~ 20mA current signal can be converted to voltage signal with an 250 ohm external resistor and then inputted from terminals 17+ and 18-.
If I4 module is installed in MIO slot, current signal can also be inputted from terminals 14+ and 15-, and 2-wire transmitter can be inputted from terminals 16+ and 14-.

Wiring graph for D dimension (72mmX72mm) instruments



Note:
Linear voltage signal of range below 500mV should be inputted from terminals 13+ and 12-.
Signal of 0~5V, 1~5V or 0~10V should be inputted from terminals 11+ and 12-.
4~20mA linear current signal can be converted to 1~5V voltage signal with a 250 ohm resistor and inputted from terminals 11+ and 12-.

Wiring graph for D2 dimension (48mmX48mm) instruments



Note:
Linear voltage signal of range below 500mV should be inputted from terminals 8- and 9+.
D2 dimension not support 0~5V or 1~5V input. However, 0~5V or 1~5V can be converted to 0~500mV or 100~500mV by connecting external resistor (it belong to custom made order, please contact our sales or agent)
4~20mA linear current signal can be converted to 100~500mV voltage signal with a 25 ohm resistor and inputted from terminals 8- and 9+.



XIAMEN YUDIAN AUTOMATION TECHNOLOGY CO., LTD

No. 17 North Huoju Rd., Huoju Park, Huoju Hi-Tech District, Xiamen, Fujian China
Tel: 86-592-5653698
Fax: 852-2770-8796



YUDIAN (HONG KONG) AUTOMATION TECHNOLOGY CO., LTD

12/F, Chun Hoi Commercial Bldg, No 688 Shanghai Street, Kowloon, Hong Kong
Tel: 852-2770-8785 Fax: 852-2770-8796
<http://www.yudian.com.hk/>
Email: sales@yudian.com.hk

Yudian Copyright(C) 1991-2011